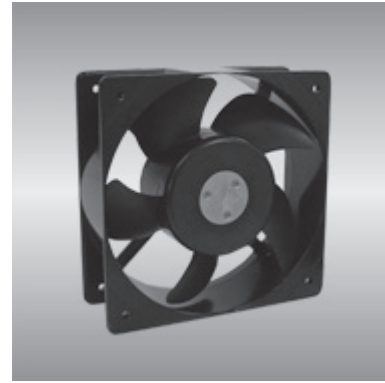


205 IG series

mmx205mmx72mm



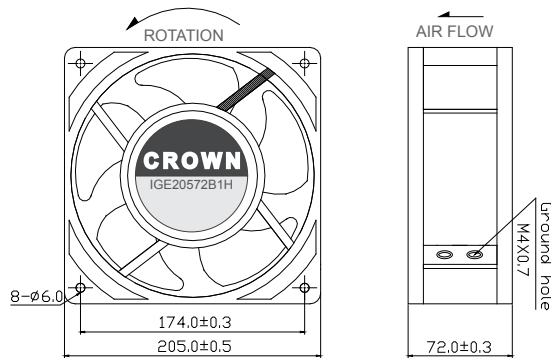
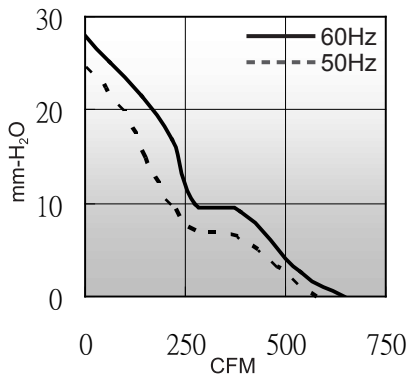
General Specifications

- Motor : Singal phase induction capacitor motor
- Frame & Impller : Al Die-casting & PBT plsatic
- Storage temperature : -40°C to +75°C
- Operating temperature : -10°C to +60°C

Major Characteristic Parameters

Model	Bearing System	Rated Voltage	Freq.	Power Input	Rated Speed	Maximum Air Flow	Maximum Static Pressure	Sound Level	Weight		
Part NO.	B / S	V	Hz	W	RPM	m ³ /min	CFM	mm-H ₂ O	In-H ₂ O	dBA	Kg
IGE20572_1H	B / S	80-125	50/60	65/102	2500/3000	16.4/18.3	580/735	25/28	0.98/1.10	60	2.1
IGE20572_2H	B / S	150-240	50/60	65/102	2500/3000	16.4/18.3	580/735	25/28	0.98/1.10	60	2.1

*Bearing system B: Two Ball Bearing F: Fluid Bearing S: Sleeve Bearing



unit:mm